



Thank you for purchasing our equipment. Please read this manual carefully and heed the safety warnings and instructions before installing, using or repairing the equipment. This will ensure not only the protection of persons, but also the long life of the equipment.

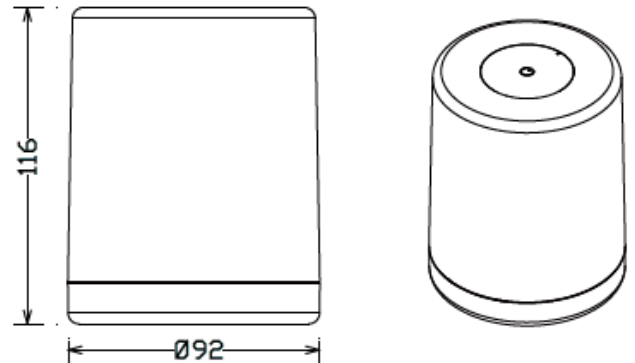
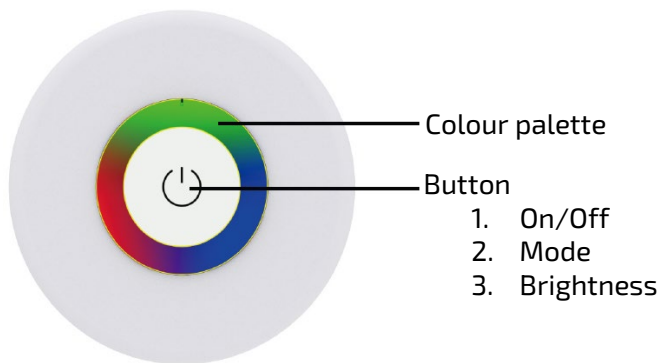
TECHNICAL PARAMETERS

Luminous flux	100lm
Chromaticity temperature	3000K, RGB
Batteries	Li-Ion 3,7V 1800mAh
Battery life (min./max.)	10/15 hrs.
Charging duration	3 hrs.
Power	USB C
Dimensions	116 x 92 mm
Coverage	IP40

USE OF EQUIPMENT

1. Fully charge the device before use. The USB-C power port can be found on the bottom of the device. When charging, the indicator light is red, when fully charged it is green. The device supports a 5V/1A-2A charging adapter (not included).
2. On the top of the device you will find a touch button to turn On  and a color palette to select the color of the light.
 - Press the  button to turn the device On/Off
 - Press and hold the button to increase/decrease the brightness of the light
 - Quick double press of the button to switch between the light mode: colour transition and warm yellow
 NOTE: Thanks to the built-in memory, the device will restart in the last used mode or light color after switching off.

DESCRIPTION OF EQUIPMENT



SAFETY NOTICE

1. When charging, keep the device away from sources of heat, fire, flammable and explosive materials.
2. Do not immerse the device in water.

The light source of this luminaire is non-replaceable, at the end of its service life the entire luminaire must be replaced and disposed of in a designated place. This product contains a light source that for design reasons cannot be removed for verification and therefore the entire product is considered a light source.

The product has been issued with a CE declaration of conformity in accordance with the applicable regulations. On request from the manufacturer: info@solight.cz, or downloadable from www.solight.cz/en.

